

**P O S I T I O N**

---

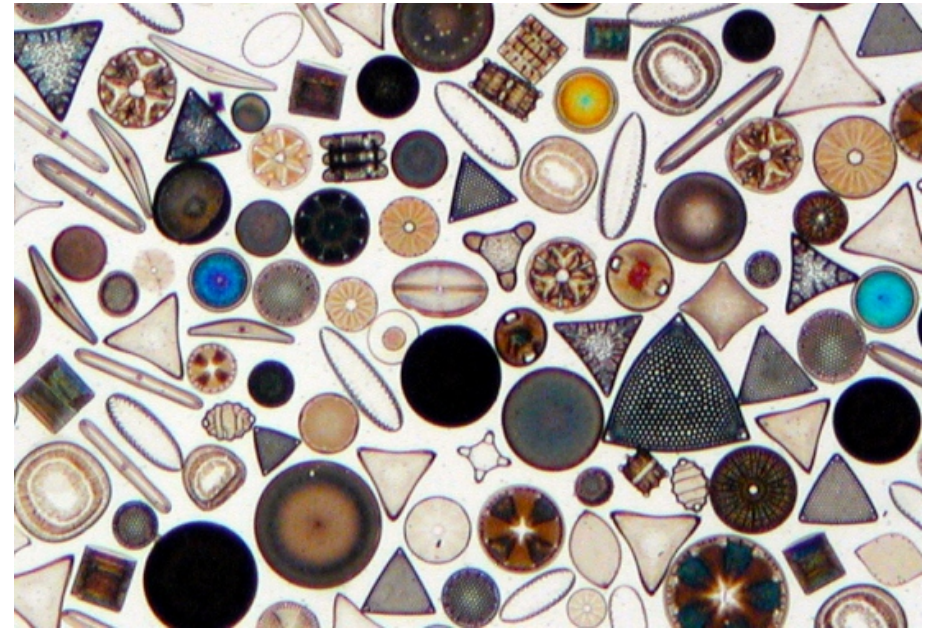
C O L L E C T I V E

**Cel**

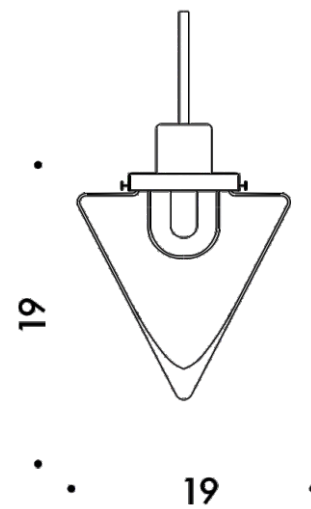
COLLECTION

[WWW.POSITION-COLLECTIVE.COM](http://WWW.POSITION-COLLECTIVE.COM)

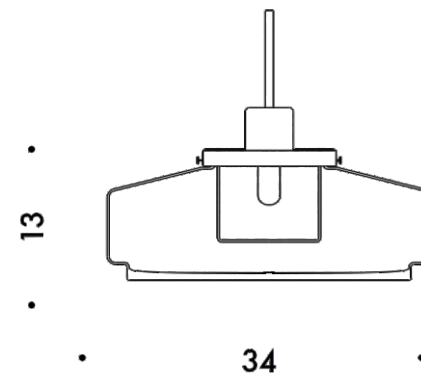
The Cel lamp collection is inspired by diatoms, single organisms living in waters. Their decomposition produces sand, which is one of the raw materials for glass production. The unicellular organisms have a core cell and a membrane, which gave us the idea of the double layer glass shade. The collection includes 5 variants of glass shade suspended lamps.



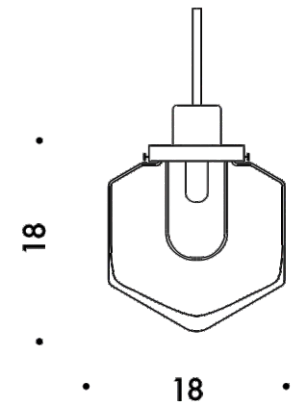




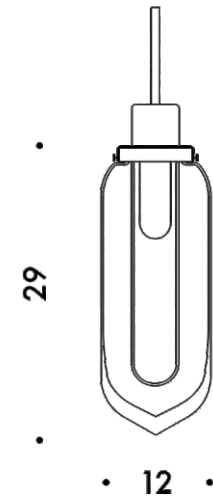
**ANULLA**



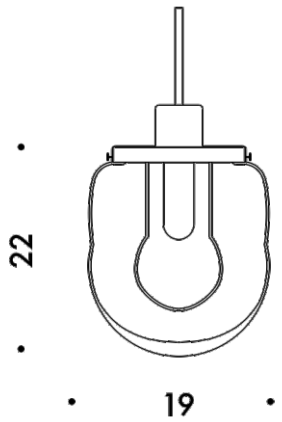
**IPOLA**



**CAMPYLLO**



**LOSIRA**



**LOTELA**

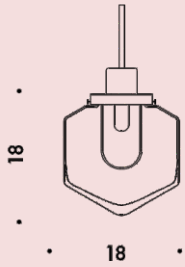




# DATASHEET

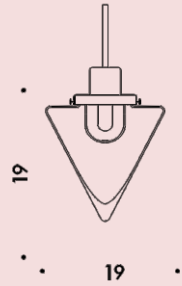
CAMPYLLO

E14



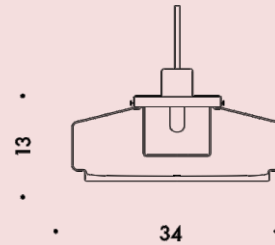
ANULLA

E14



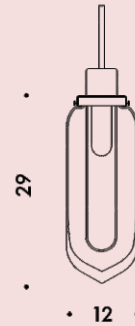
IPOLA

E27



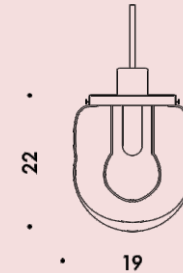
LOTELA

E27



LOSIRA

E14



**Environment** – Indoors, dry locations

**Function** – Decorative light

**Material** – Powder-coated metal, precious metal, Glass

**Cablelength** – 2 m

**Recommended Lightsource** – E14 /E27 LED light, 3500 lm

## OUTER SHADE COLORS



## INNER SHADE COLORS



## SOCKET COLORS



RAL 7021



RAL 1013



BRASS

IP20

